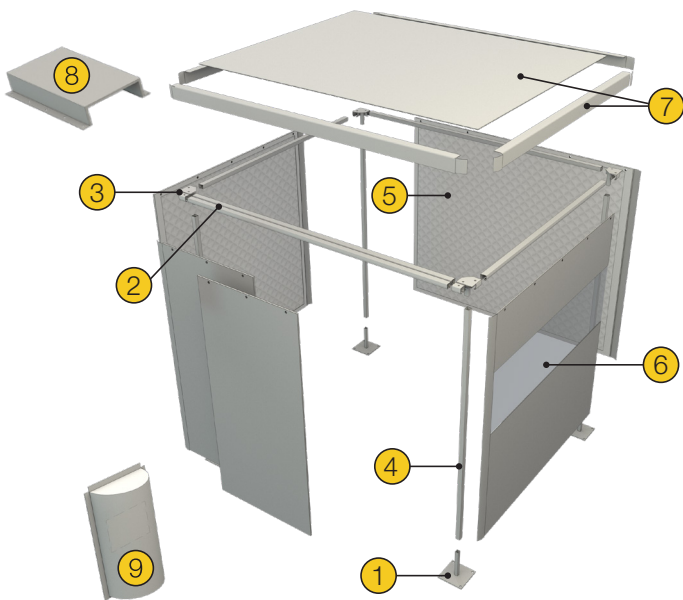


## SHAVER STANDARD IN-PLANT INDUSTRIAL ACOUSTIC ENCLOSURES

CONVENIENT OFFERING OF OUR MOST REQUESTED INDUSTRIAL ENCLOSURES & OPTIONS, WITHOUT COMPROMISING MACHINE ACCESS, VISIBILITY OR VENTILATION.



### FLOOR-MOUNTED ENCLOSURE (4-SIDED)

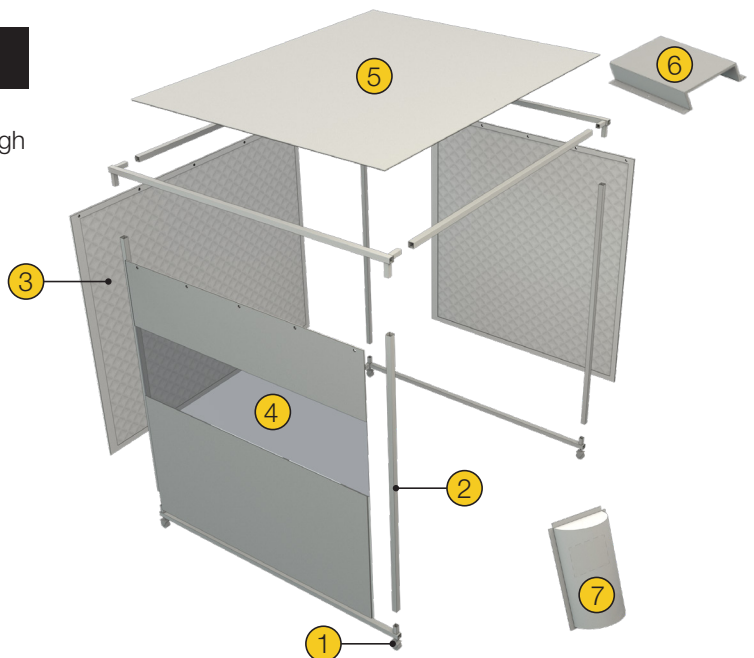
AVAILABLE SIZES | 4' x 4' x 8' high | 8' x 8' x 8' high

- ① Base Plates
- ② Double Track for Access
- ③ Corner Connectors
- ④ Columns
- ⑤ BBC-13-2" or BSC-25 Panel
- ⑥ **Option:** Clear Vinyl Full Width Window (24" High)
- ⑦ **Option:** Roof with Valance
- ⑧ **Option:** Roof Top Vent Baffle
- ⑨ **Option:** Side Vent Baffle

### PORTABLE ENCLOSURE (3-SIDED)

AVAILABLE SIZES | 4' x 4' x 4' x 8' high | 4' x 8' x 4' x 8' high

- ① Built-in Locking Casters
- ② Rugged Tubular Steel Frame
- ③ BBC-13-2" or BSC-25 Panel
- ④ **Option:** Clear Vinyl Full Width View Window (24" High)
- ⑤ **Option:** Roof
- ⑥ **Option:** Roof Top Vent Baffle
- ⑦ **Option:** Side Vent Baffle





Known for our effective **Industrial In-Plant Complete and Partial Enclosures**, we are proud to now offer standard configurations incorporating some of our most requested options. Choose a standard model as detailed below.

CONFIGURATION	FLOOR-MOUNTED	PORTABLE
<b>SUGGESTED USES</b>	<ul style="list-style-type: none"> <li>Great for stationary equipment on a production floor, loud equipment near a production office, blowers, compressors, dust collectors, granulators and more.</li> <li>Permanent / Fixed</li> </ul>	<ul style="list-style-type: none"> <li>Great for small equipment, protecting the hearing of an operator</li> <li>Easy/fast access</li> <li>Equipment that requires frequent maintenance</li> </ul>
<b>AVAILABLE DIMENSIONS</b>	Two options (4-sided) <ul style="list-style-type: none"> <li>4' x 4' x 8' high</li> <li>8' x 8' x 8' high</li> </ul>	Two options (3-sided) <ul style="list-style-type: none"> <li>4' x 4' x 4' sides x 8' high w/ casters</li> <li>4' x 8' x 4' sides x 8' high w/ casters</li> </ul> Option to combine two portable units together to make a larger, 4-sided, portable enclosure.
<b>COLOR</b>	Light Grey	Light Grey
<b>PANEL TYPE</b>	Two options: <ul style="list-style-type: none"> <li>BBC-13-2"</li> <li>BSC-25</li> </ul> * Shipped with a field edge binding kit for on-site modifications.	Two options: <ul style="list-style-type: none"> <li>BBC-13-2"</li> <li>BSC-25</li> </ul> * Shipped with a field edge binding kit for on-site modifications.
<b>OPTIONS</b>	<ul style="list-style-type: none"> <li>Roof with valance</li> <li>Roof top vent baffle</li> <li>Side air intake baffle</li> <li>Clear vinyl windows</li> </ul>	<ul style="list-style-type: none"> <li>Roof</li> <li>Roof top vent baffle</li> <li>Side air intake baffle</li> <li>Clear vinyl windows</li> </ul>
<b>BENEFITS</b>	<ul style="list-style-type: none"> <li>Sturdy/fixed assembly</li> <li>Double-track on 1 side for quick access</li> <li>Affordable alternative to metal enclosures</li> </ul>	<ul style="list-style-type: none"> <li>Fast/easy install</li> <li>1-2 person portability (with locking casters)</li> <li>Entire system can be removed and stored when not in use.</li> </ul>

ACOUSTICAL DATA — Octave Band Frequencies (Hz)							
Model #	125	250	500	1K	2K	4K	STC/NRC
BBC 13-2"	13	20	29	40	50	55	<b>32 STC</b>
	0.07	0.27	0.96	1.13	1.08	0.99	<b>0.85 NRC</b>
BSC-25	12	16	27	40	44	43	<b>29 STC</b>
	0.45	0.96	0.87	0.66	0.47	0.30	<b>0.75 NRC</b>

