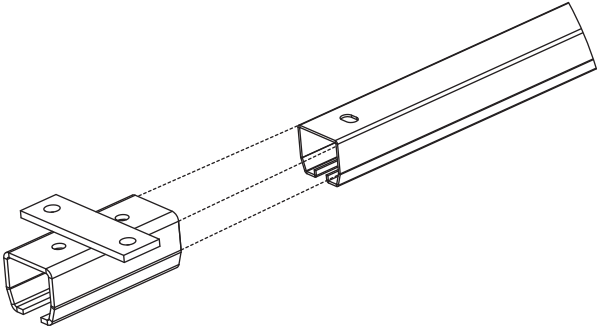
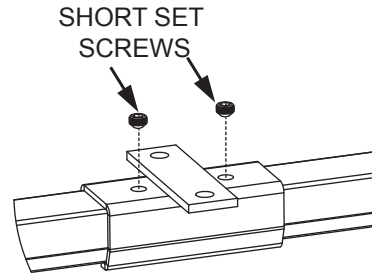


GENERAL INSTALLATION INSTRUCTIONS FOR INDUSTRIAL CURTAIN

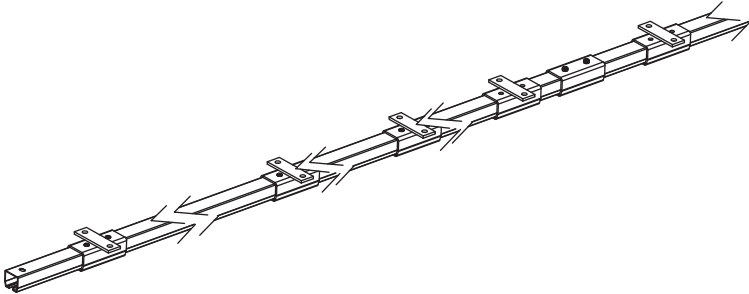
1. Slide brackets on track. Space evenly, do not exceed 32" spacing between brackets.



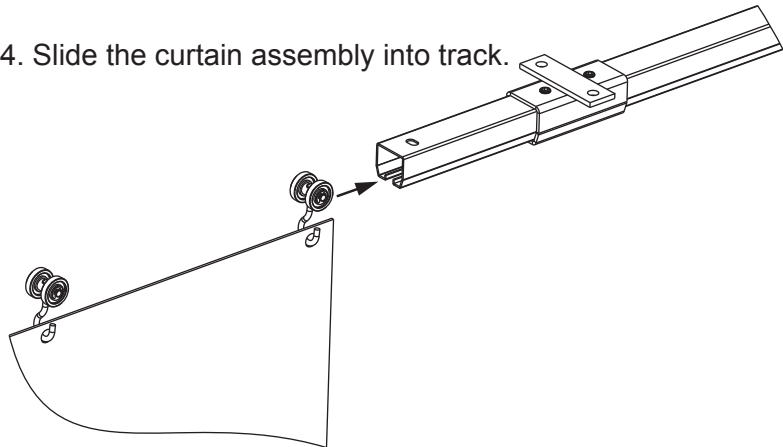
2. Tighten short set screws to secure brackets in place. Must use Loctite 262 (not included) or similar to prevent set screws from loosening.



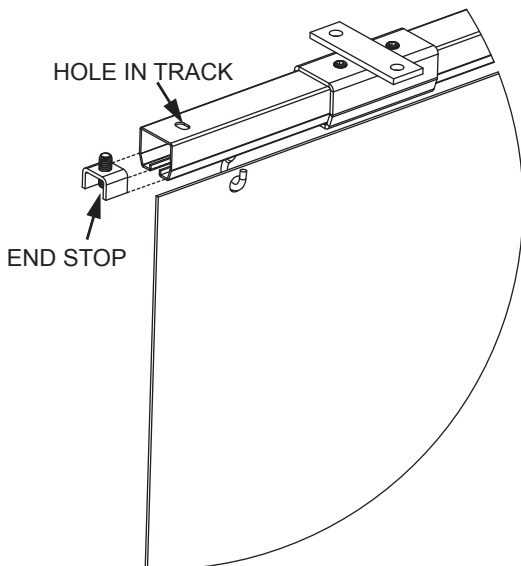
3. Install track assembly with brackets to ceiling.



4. Slide the curtain assembly into track.



5. Install end stops **at all open ends** of track. Screw from end stop must engage hole in track.



To connect 2 pcs of track, use splice bracket with long set screws. Tighten set screws so they pass thru holes in track to prevent disengagement.

