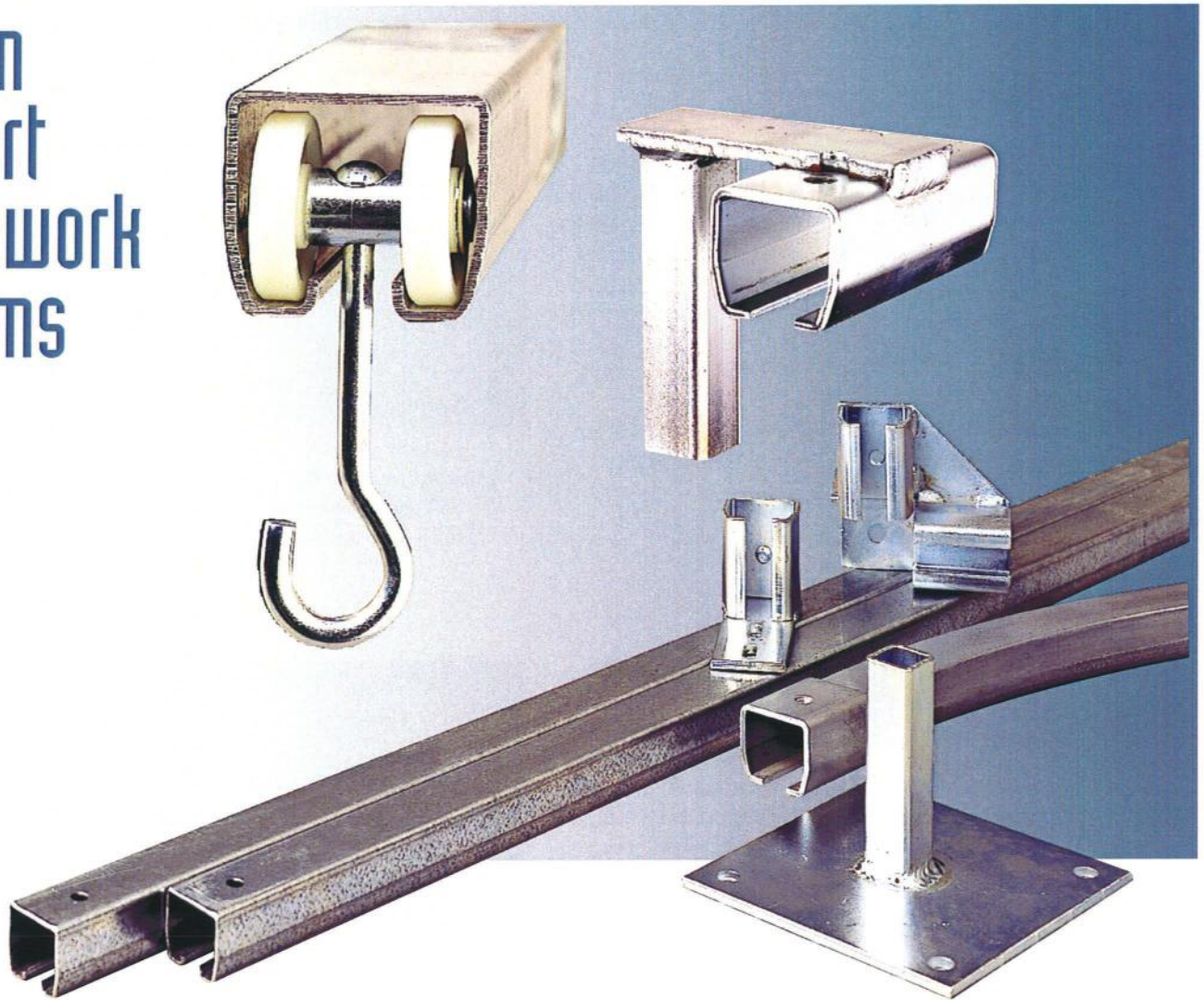


Curtain Support Framework Systems

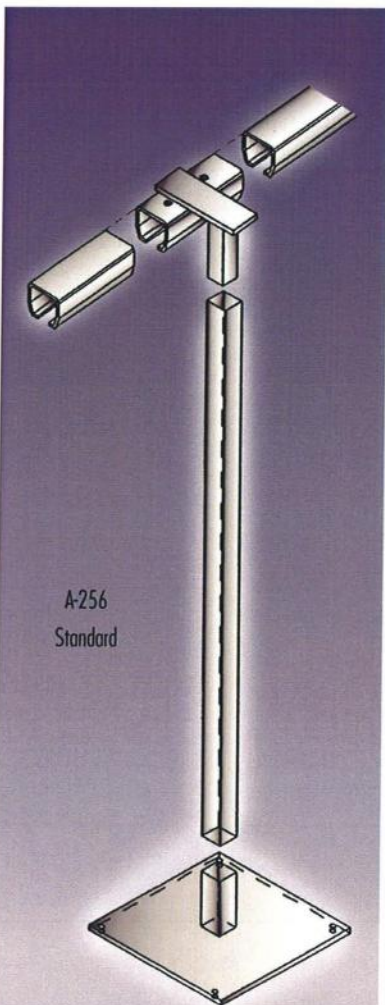


FEATURES:

- ◆ Designed for installation of Acoustical Curtain Enclosures
- ◆ Floor, suspended, ceiling, beam and wall mounted systems
- ◆ Heavy-Duty structural steel systems available
- ◆ Double track systems allow for slide-open access
- ◆ CAD drawings provided for easy and accurate installation

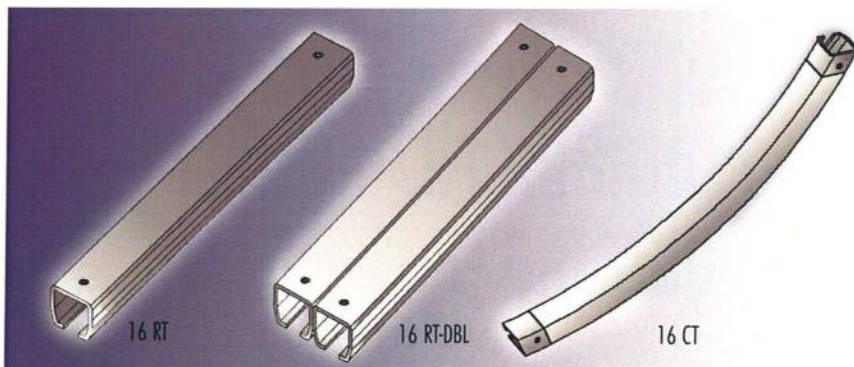
Floor Mounted Systems:

Creates a free-standing Acoustical Curtain Enclosure. Designed for easy set-up, reconfiguration and relocation by way of universal, interchangeable parts.



Roller Tracks:

Universally fitting roller track system works with floor, wall, suspended, ceiling mounted or HD curtain enclosures. Made from 16 gauge hot-dipped galvanized steel. Single or double track. Curved track : 2' radius, 90° sgl. or dbl. All track pieces slide into all track connectors.

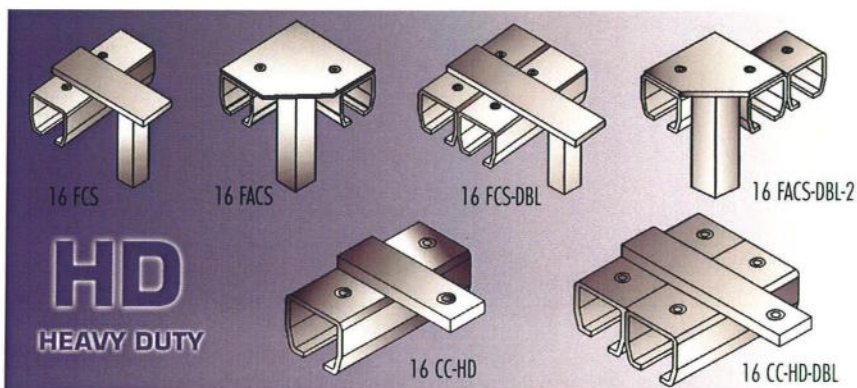


* 16 CT curved piece has flared ends, the same dimensions as a connector piece, and will accept straight track pieces fitted into its ends. Once assembled, it functions as a continuous piece of track. Curved connectors are available with mounting hardware for floor, suspended, wall, ceiling mounted or HD systems.

** Double track is two identical pieces to be used with double connectors, but are not physically joined together.

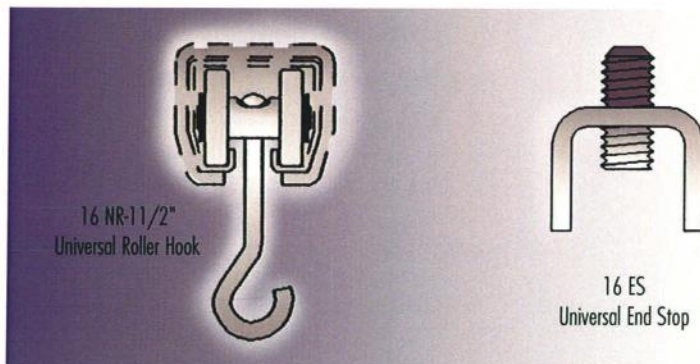
Track Connectors:

Universally fitting roller track connectors are made from 12 gauge zinc-plated steel. Single or double track; end, corner, middle.



Universal Track Parts:

Universally fitting rollers available in 1 1/2" nylon, or 1" steel. All hook / roller assemblies use two rollers.



* Roller hooks also available with steel rollers (16 SR-1).

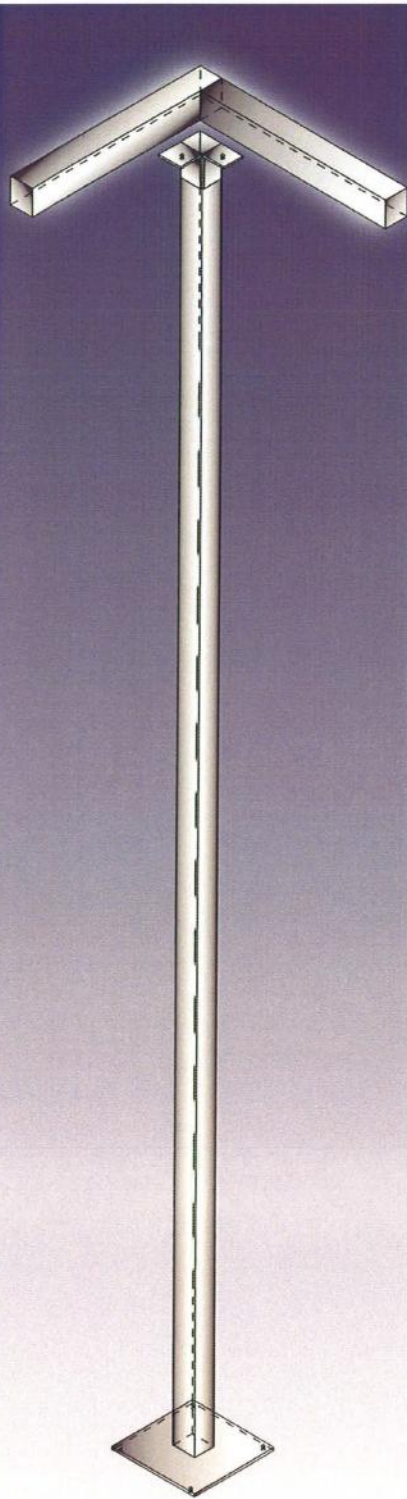
Standard System:

Made from 12 gauge steel. Columns telescope over bases and connectors up to 12' in height.

Two floor base options available:

12" square, 1/4" thick steel plate.
6" square, 3/16" thick steel plate.

CAD Drawings provided with all enclosures for easy assembly.

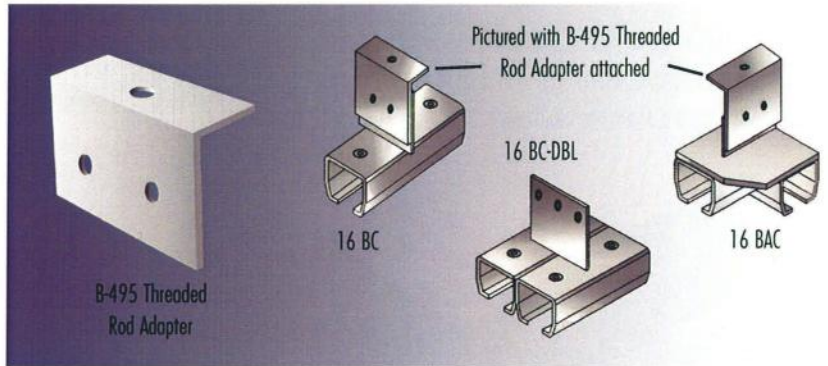


Heavy Duty System:

Made from 2 1/2" square steel tube, 3/16" thick. Floor base, column, and cross-beam connector angle are one-piece all welded construction. HD curtain frames are painted for durability.

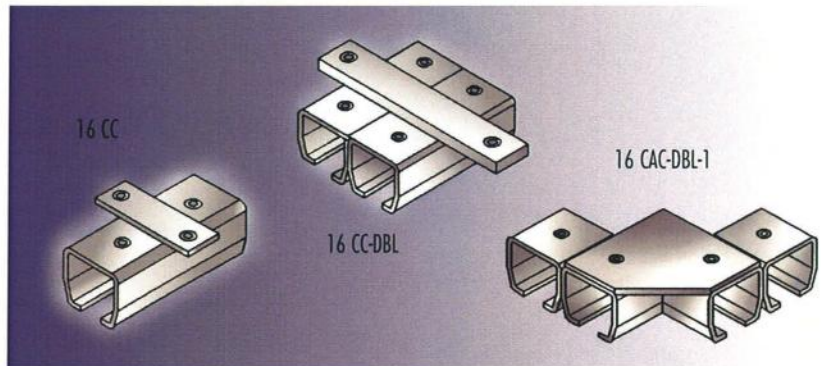
Suspended Systems:

12 gauge, zinc-plated, Accepts up to 1/2" dia. threaded rod. Corner, middle, and curved connectors available for single or double track systems. Utilized to attach to I-beams



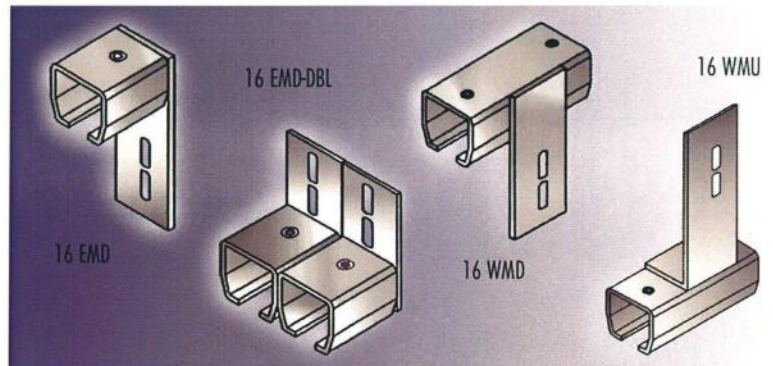
Ceiling Mount Systems:

12 gauge, zinc-plated, Corner, middle, and curved connectors available for single or double track systems.



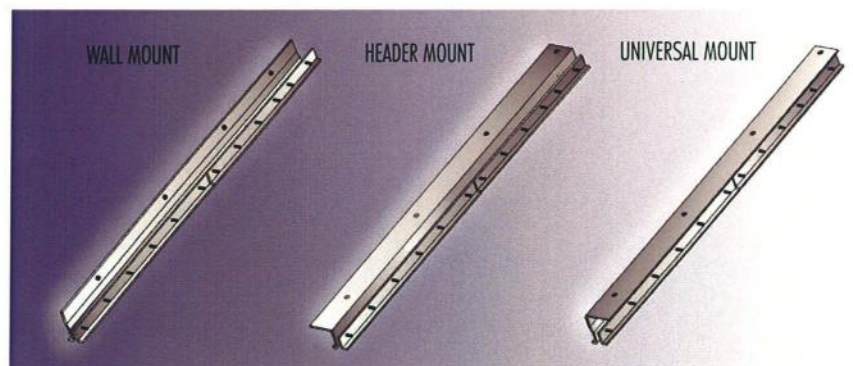
Wall Mount Systems:

12 gauge, zinc-plated, Corner, middle, and curved connectors available for single or double track systems.



Stationary Vinyl StripDoor Hardware:

Made from galvanized steel, aluminum, or stainless steel. 8', 10' or custom lengths available. Includes 1" studs (spaced 2" on center), clamping plates and lock nuts. Three styles to choose from.

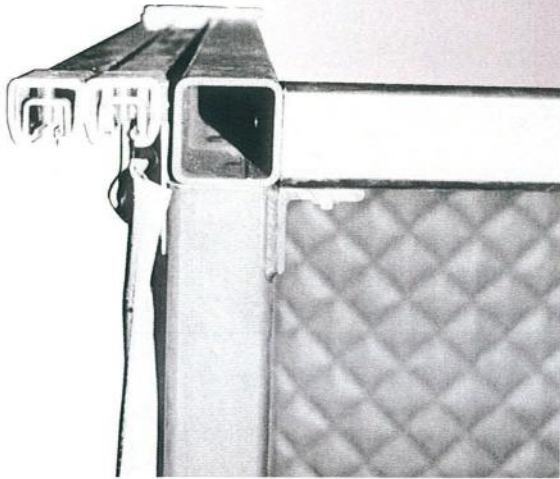


Heavy Duty Frame Systems

- ◆ For large or tall enclosures
- ◆ For greater spans between columns
- ◆ Custom sized for any application



- ◆ Panels may be bolted directly to frame, (photo above) or installed on sliding double track for maximum access (photo below)



- ◆ Utilizes any style of Industrial Acoustical Curtain Panels
- ◆ 2 1/2" square steel tube framework easily supports roof systems as well as roof top ventilation baffles
- ◆ Shipped knock down with CAD drawing provided for easy installation



- ◆ Rugged Construction
- ◆ Strong structural steel tube
- ◆ Durable painted finish



20 Steckle Place
Kitchener, ON N2E 2C3
Ph 1(888) 766 8328
www.shaverinc.com