



Shaver Industries

20 Steckle Place, Kitchener, ON N2E 2C3
Ph 1(888) 766 8328
www.shaverinc.com

Assembly Instructions Addendum Adding Additional NEMA Controllers to the ISI-2 or Eolis Interface

Additional NEMA 1 Operator Control Stations can be added to your Shaver's ISI-2 or Eolis Interface. When adding the controllers, please observe the color codes and conventions used with the first (primary) control station. NEMA-4 stations will look different, but the color codes and conventions remain the same. See the following photo (Photo 1):

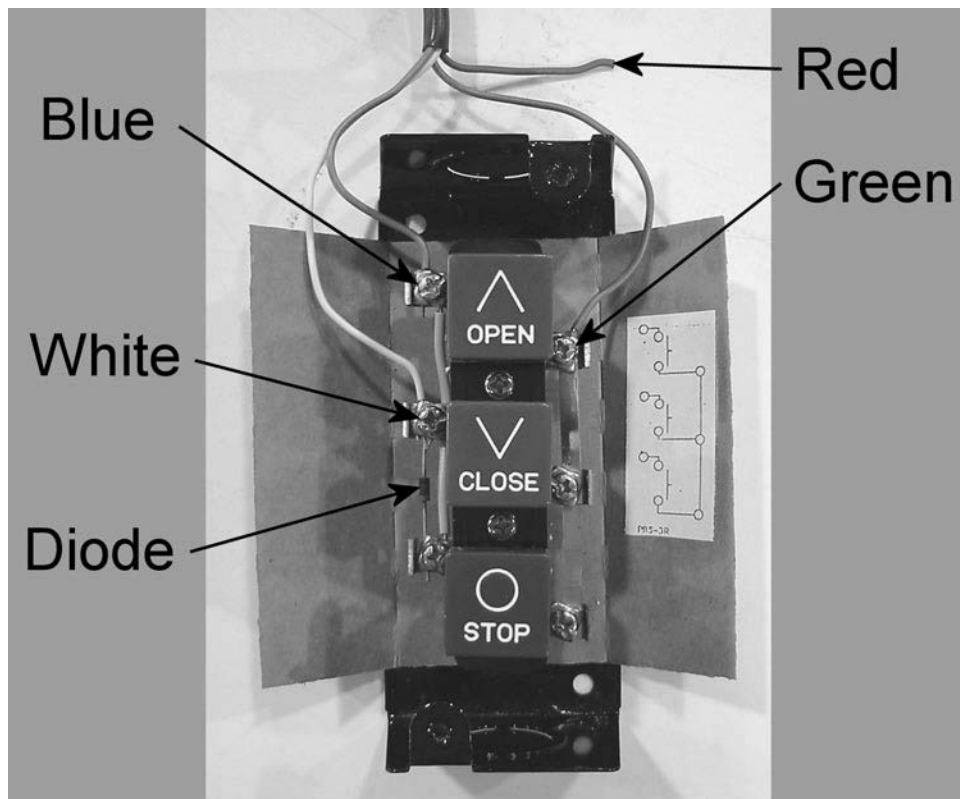
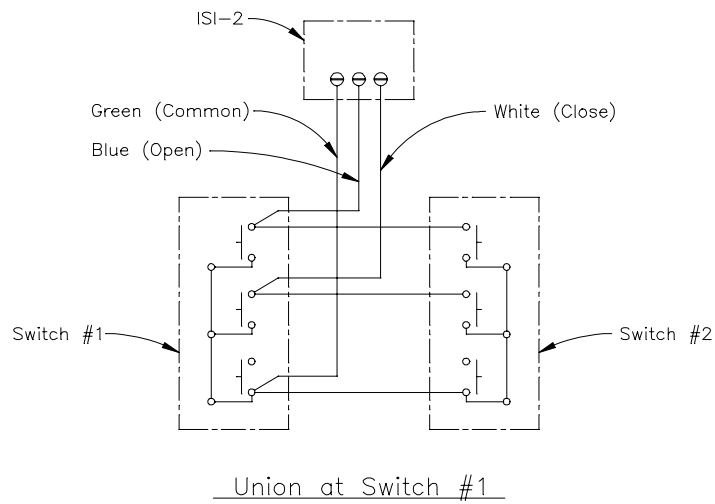


Photo #1
(NEMA 1 Connections)

NOTE: There are two diodes attached at the factory to the OPEN, CLOSE, and STOP terminals on the NEMA Control Station. Do not disconnect or damage these connections while attaching the control wiring.

The additional controller can be wired in a “daisy chain” fashion to the primary control station, or it can be wired in a “home run” manner all the way back to the ISI-2 or Eolis Interface. Please see the following diagram (Diagram 1):



OR

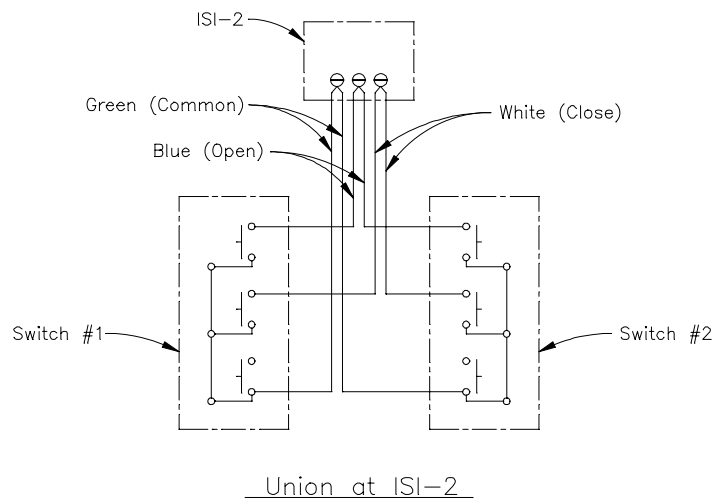


Diagram #1
(NEMA 1 Connections)

After the wiring is complete, check the operation of both control stations. They should be fully functional and should work completely independently of each other. If any function on either controller is not working properly, double check the wiring connections and ensure that none of the diodes have been displaced or damaged.